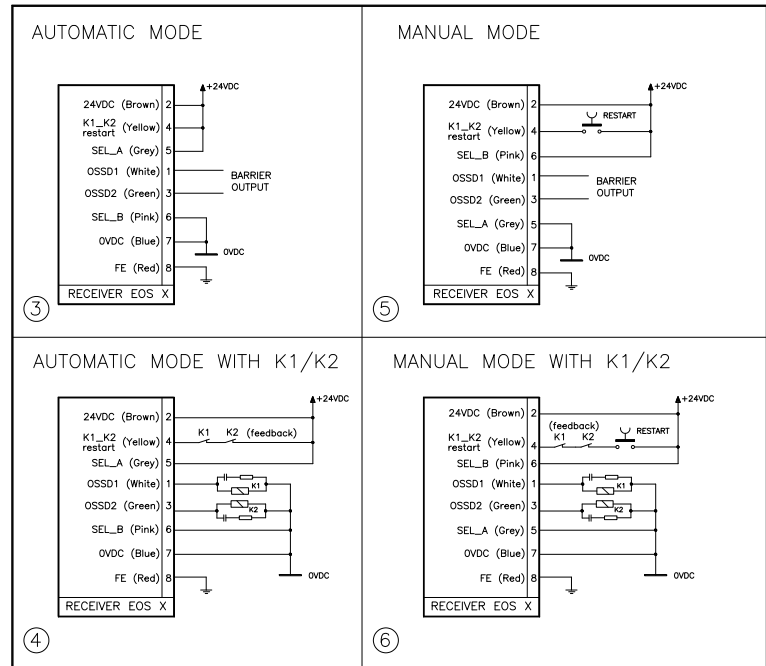
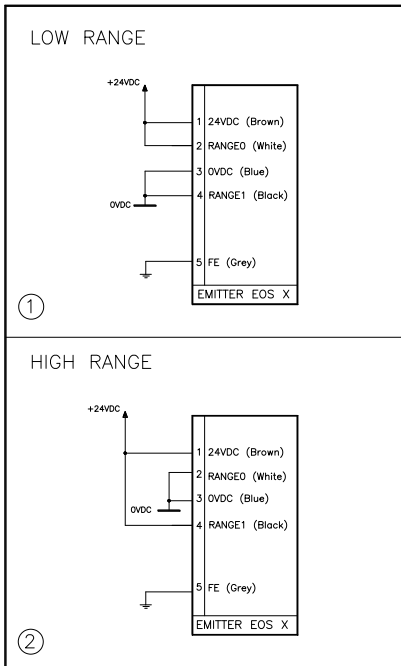
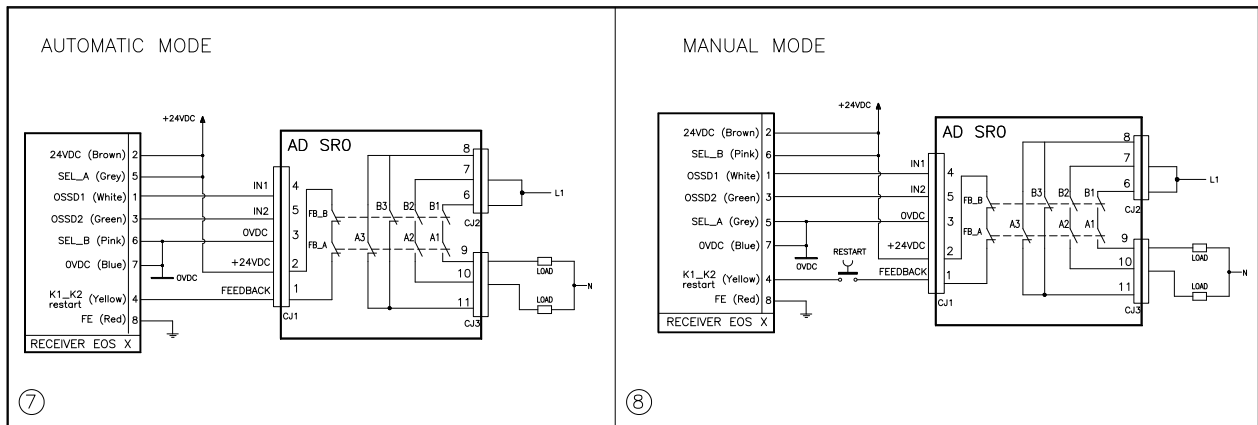


EMITTER EOS X

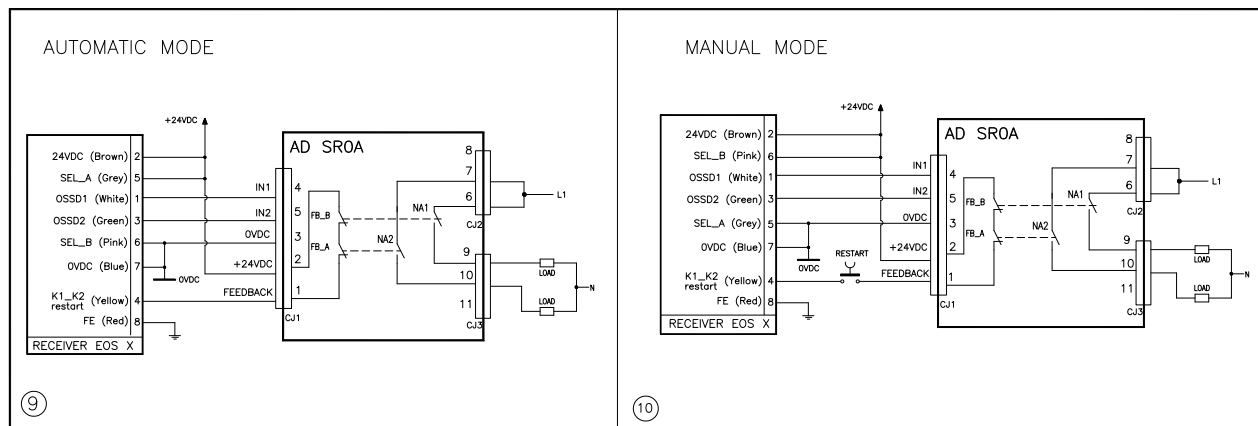
RECEIVER EOS X



EOSX --> ADSR0

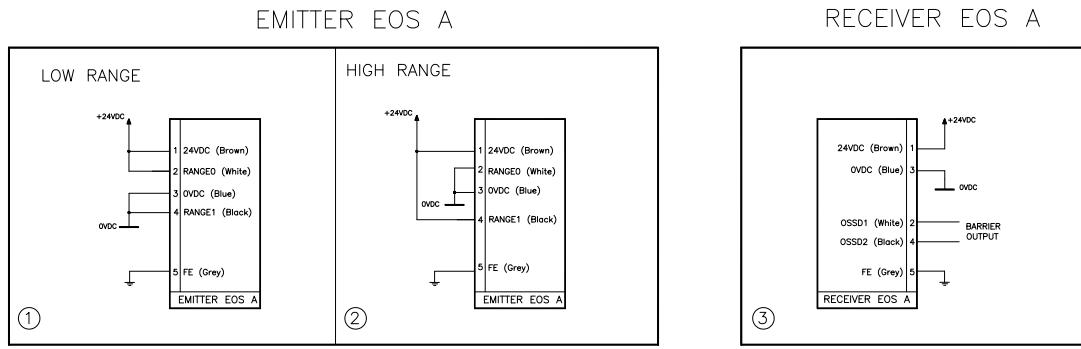


EOSX --> ADSR0A



English

Figure 23 - EOS2 X: Connection examples



EOS A --> ADSR1

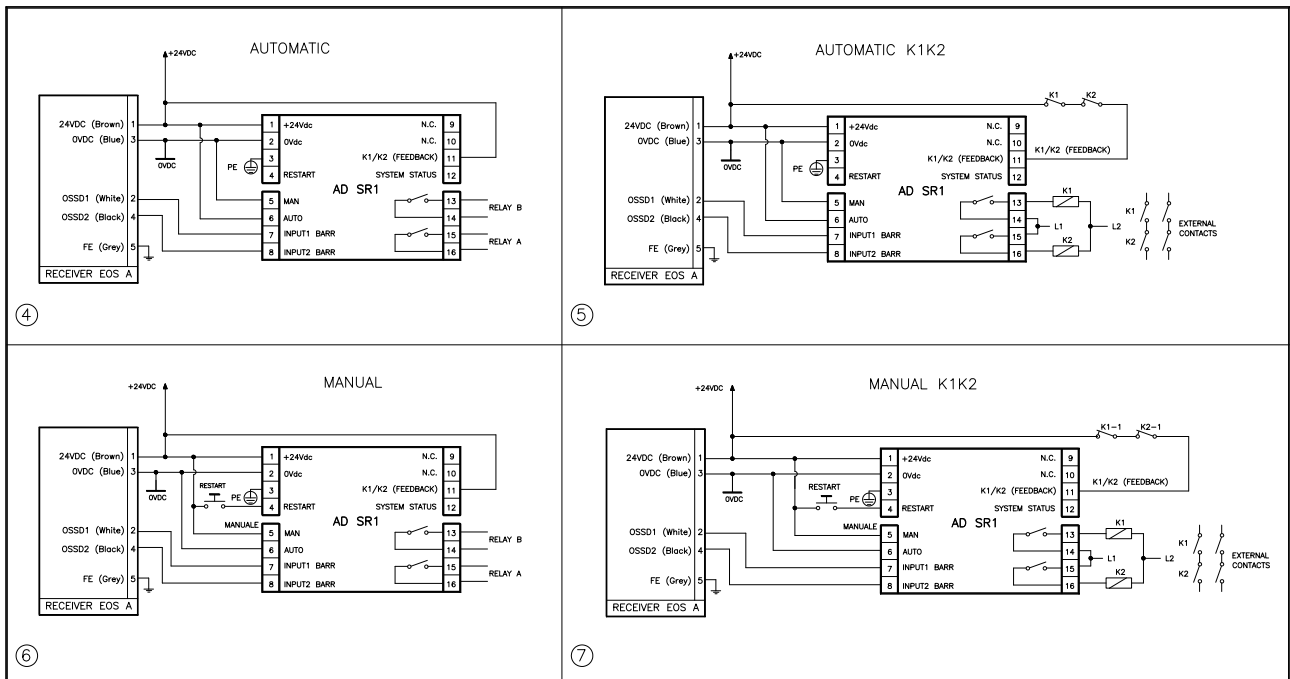


Figure 24 - EOS2 A: Connection examples